

SPECIFICATIONS

Mechanical

Contact Retention Force: 1.02Kg(2.3Lb)min.
Durability: 250 Cycles

Electrical

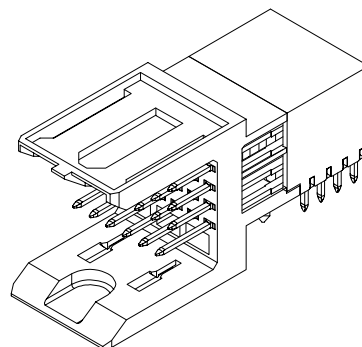
Voltage Rating: 750V
Current Rating: 1A
Contact Resistance: Row A:25mΩ max.
 Row B:35mΩ max.
 Row C:40mΩ max.
 Row D:45mΩ max.
Dielectrical Withstanding Voltage: 1000V
Insulation Resistance: 1000MΩ min.

Physical

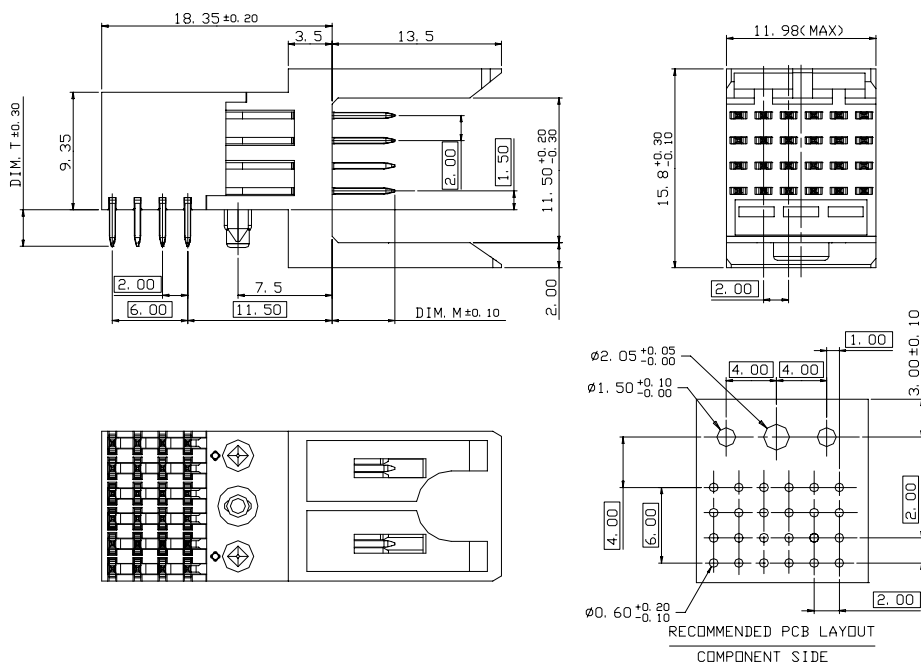
Housing: LCP, UL 94-0, Ivory White
Contact: Phosphor Bronze
Plating: See "ORDERING INFORMATION"

FUTURE BUS CONNECTOR

**1F Series,
 Plug. Solder Fit Type
 2.0mm [.078"] Pitch
 4Rows**



DRAWING



ORDERING INFORMATION

PART LIST

1 F 1 1 0 2 4 * - S * * C S - *

POS. NO. 024: 24POS.

PLATING SPEC.
 1:GOLD FLASH
 3:0.76um(30u")MIN. GOLD PLATING
 5:1.27um(50u")MIN. GOLD PLATING
 6:0.25um(10u")MIN. GOLD PLATING
 A:0.76um(30u")MIN. FPT PLATING,
 0.25um(10u")MIN. GOLD INCLUDED.

LEAD FREE CODE
 N:NONE
 F:LEAD FREE PLATING

BODY STYLE
 SELECTIVE PIN PATTERN
 (SEE TABLE)

TAIL STYLE
 S: SOLDER TYPE

PRODUCT NUMBER	CONFIGURATION					
	1	2	3	4	5	6
1F110243-S01CS-F	D	11	11	11	11	11
	C	11	11	11	11	11
	B	11	11	11	11	11
	A	13	13	13	13	13

CODE	DIMENSIONS	
	DIM.T	DIM.M
11	2.9mm	5.0mm
12	2.9mm	5.75mm
13	2.9mm	6.50mm